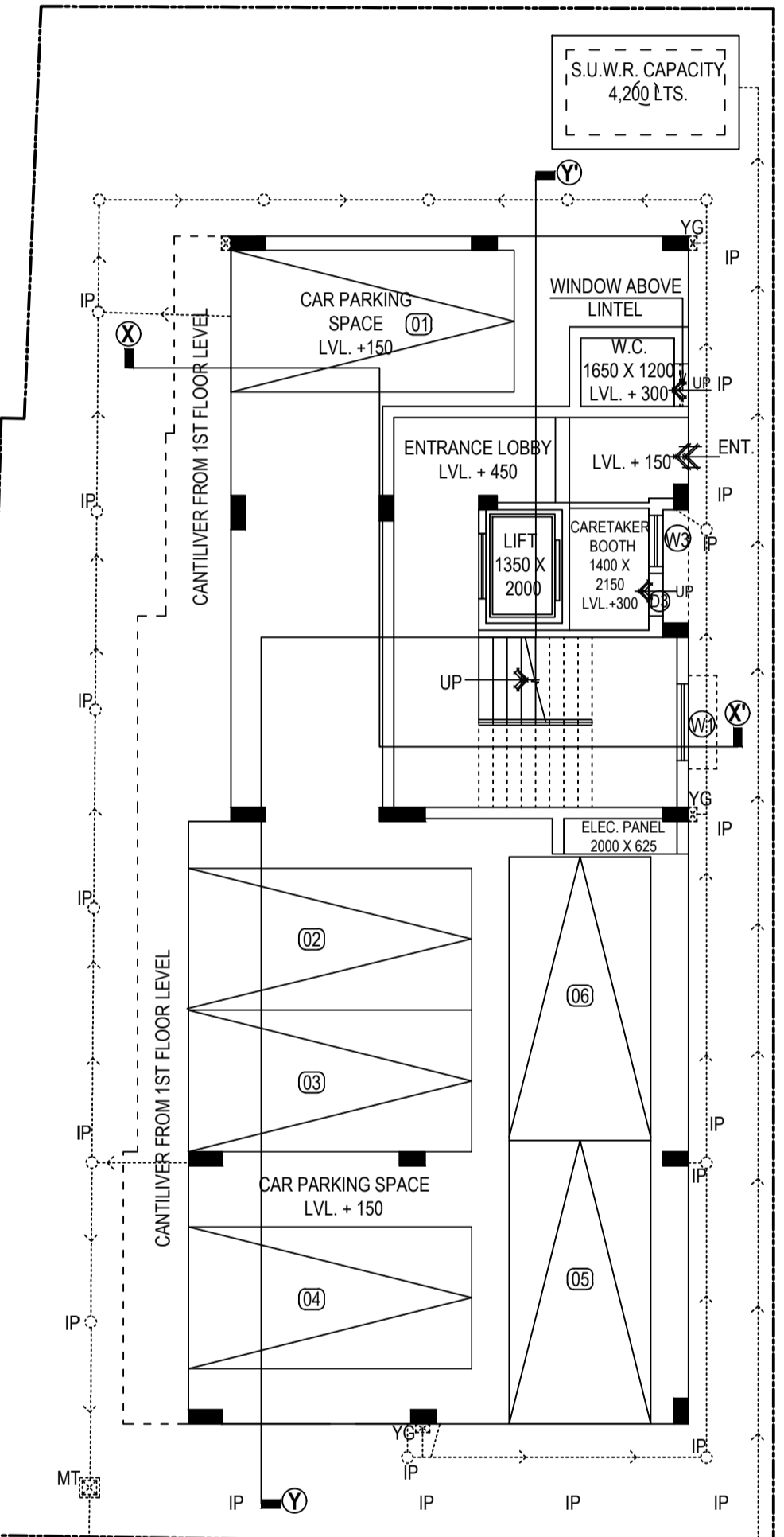


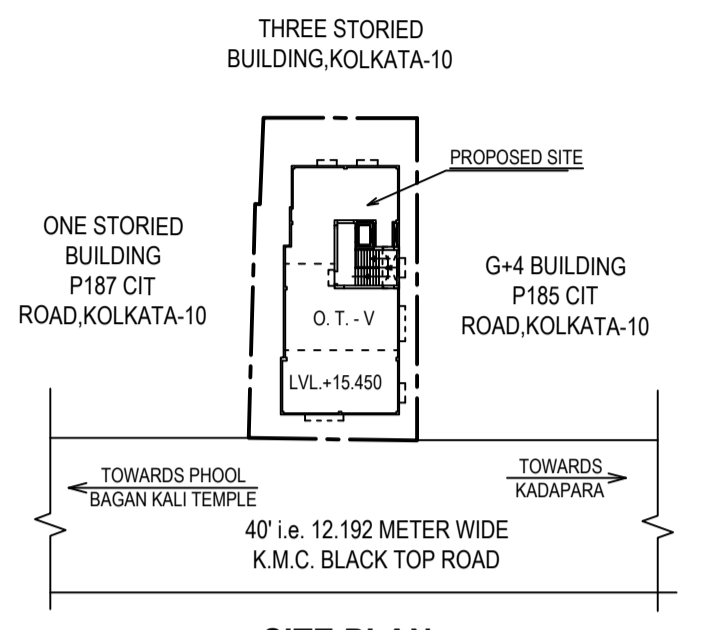
**NOTE :-**  
 1) ALL SORTS OF PRECAUTIONARY MEASURE WILL BE TAKEN DURING DEMOLITION OF EXISTING STRUCTURE AND AT THE TIME OF CONSTRUCTION OF BUILDING ALONG WITH CONSTRUCTION OF SEPTIC TANK AND UNDER GROUND WATER RESERVOIR.  
 2) DEPTH OF UNDER GROUND WATER RESERVOIR & SEPTIC TANK WILL NOT EXCEED THE DEPTH OF BUILDING FOUNDATION.

TREE COVER AREA : 3.869 SQ.M.

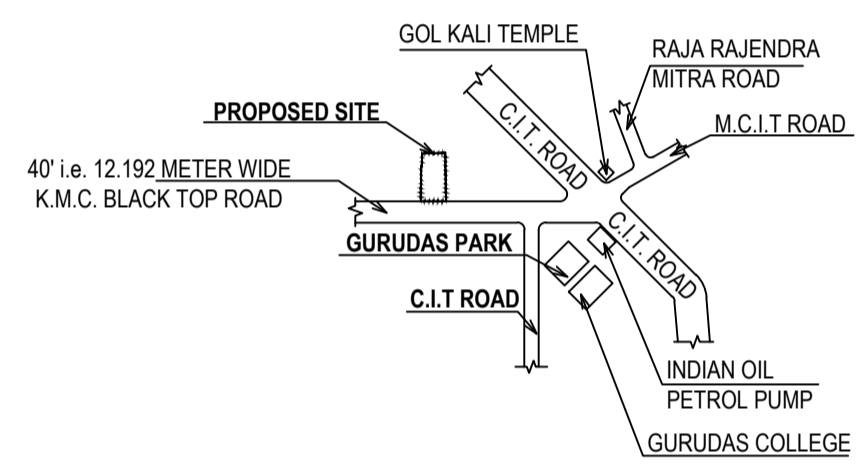


40' i.e. 12.192 METER WIDE K.M.C. BLACK TOP ROAD

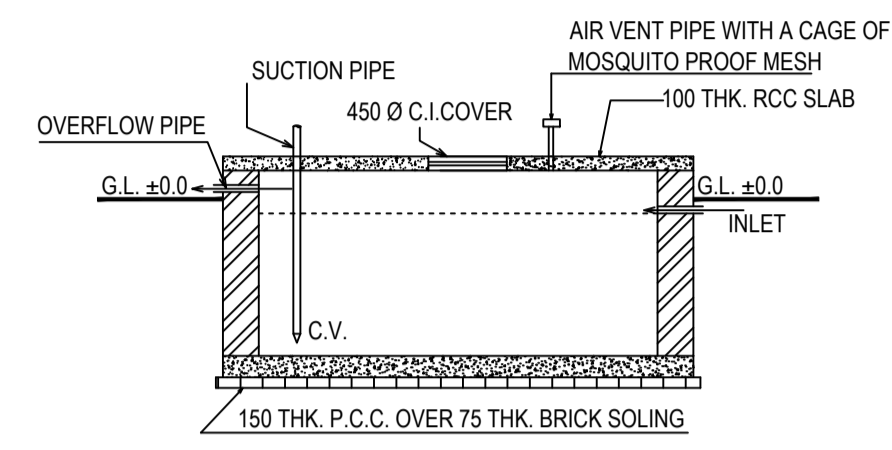
**PROPOSED GROUND FLOOR PLAN**



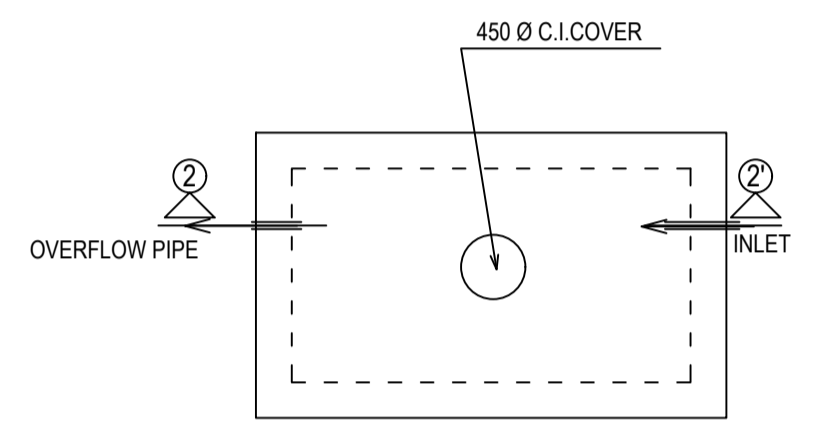
**SITE PLAN**  
SCALE - 1 : 600



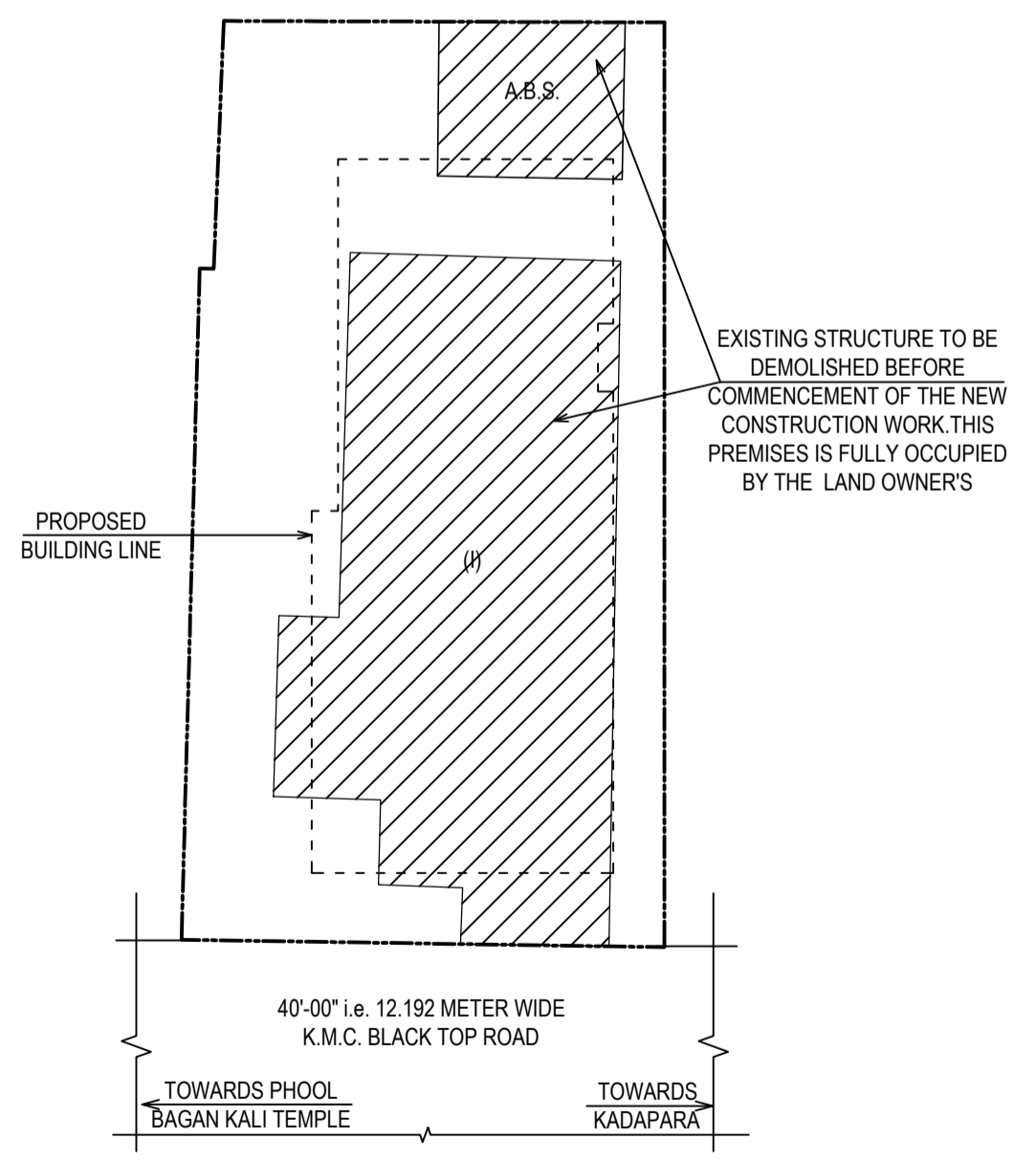
**LOCATION PLAN**  
SCALE - 1 : 4000



**SECTION AT, '2-2'**  
SCALE - 1 : 50



**SEMI UNDER GROUND WATER RESERVOIR CAPACITY : 4200 LTS.**  
SCALE - 1 : 50



**EXISTING SITE PLAN**  
SCALE : 1 : 200

**PART - A**

1. ASSESSEE NO :- 11-033-05-0091-8.

2. NAME OF OWNER : MAITRAYEE BOSE

3. NAME OF THE APPLICANT : ARUNAGATA DAS  
SOLE PROPRIETOR OF MESSRS OMKAR ENTERPRISE C.A. OF MAITRAYEE BOSE

4. DETAILS OF REGISTERED DEED :-

BOOK NO.	VOLUME NO.	PAGES	BEING NO.	DATED	OFFICE
I	41	280 TO 285	2170	18.09.1958	SUB-REGISTRAR SEALDAH

5. DETAILS OF CONVEYANCE :-

BOOK NO.	VOLUME NO.	PAGES	BEING NO.	DATED	OFFICE
I	47	151 TO 153	2169	18.09.1958	SUB-REGISTRAR SEALDAH

6. DETAILS OF REGISTERED DEED :-

BOOK NO.	VOLUME NO.	PAGES	BEING NO.	DATED	OFFICE
I	31	275 TO 277	1457	12.08.1968	SUB-REGISTRAR SEALDAH

7. DETAILS OF GENERAL POWER OF ATTRONY :-

BOOK NO.	VOLUME NO.	PAGES	BEING NO.	DATED	OFFICE
I	1903-2022	181789 TO 181815	190301772	12.03.2022	A.R.A.-III KOLKATA

8. DETAILS OF REG. BOUNDARY DECLARATION :-

BOOK NO.	VOLUME NO.	PAGES	BEING NO.	DATED	OFFICE
I	1901-2022	168072 TO 168082	190102637	06/04/2022	A.R.A.-I KOLKATA

**ABSTRACT AREA STATEMENT :-**  
 AREA OF THE LAND : 05 K. - 08 CH. - 30 SQ.FT. i.e. 3990 SQ.FT. i.e. 370.680 SQ.M. [AS PER DEED]  
 AREA OF THE LAND : 05 K. - 08 CH. - 24 SQ.FT. i.e. 3984 SQ.FT. i.e. 370.092 SQ.M. [AS PER REGISTERED BOUNDARY DECLARATION]  
 ROAD WIDTH : 40'-00" i.e. 12.192 METER WIDE K.M.C. BLACK TOP ROAD  
 PERMISSIBLE F.A.R. : 2.25  
 PERMISSIBLE TOTAL BUILT UP AREA : 832.707 SQ.M.  
 PERMISSIBLE BUILDING HEIGHT : 60.000 METER.  
 PERMISSIBLE GROUND COVERAGE : 54.330 % i.e. 201.071 SQ.M.  
 PROPOSED GROUND COVERAGE : 54.086 % i.e. 200.168 SQ.M.  
 PROPOSED BUILDING HEIGHT : 15.450 METER [G + FOUR STORIED]  
 REQUIRED CAR PARKING : 06 [SIX] NOS.  
 PROVIDED CAR PARKING : 06 [SIX] NOS.  
 PERMISSIBLE AREA FOR PARKING : 150,000 SQ.M.  
 PROVIDED AREA FOR PARKING AT GROUND FLOOR : 133,415 SQ.M.  
 PROPOSED F.A.R. : (887.662 + 133.415) / 370.092 = 2.038 < 2.250  
 STAIR COVERED AREA : 19,075 SQ.M.  
 LIFT MACHINE ROOM LESS AREA : 7,819 SQ.M.  
 O.H.W. TANK AREA : 4,300 SQ.M.  
 CUPBOARD AREA : 17,052 SQ.M.  
 LOFT AREA : 3,484 SQ.M.  
 ADDITIONAL AREA : (19,075 + 7,819 + 17,052 + 3,484) = 47,430 SQ.M.  
 TOTAL AREA FOR FEES : 966,112 + 19,075 + 7,819 + 17,052 + 3,484 = 1,013,542 SQ.M.  
 TOTAL COMMON AREA : 121,649 SQ.M.  
 PROPOSED TREE COVER AREA : 3.869 SQ.M.

**SPECIFICATION OF CONSTRUCTION :-**  
 1. 20 THK. 1ST CLASS CEMENT BRICK WORK FOR EXTERNAL WALL IN SUPER STRUCTURE IN 1:4  
 2. 125 & 100 THK. 1ST CLASS CEMENT BRICK WORK FOR INTERNAL WALL IN 1:4  
 3. LEAN CONCRETE, 1:3:6 WITH 19 MM DOWN GRADED STONE CHIPS (M-15)  
 4. R.C.C. 1:2:4 FOR ROOF SLAB, BEAM, LINTEL, CHAJJA ETC.  
 5. CEMENT SAND PLASTER 10 MM. ON OUTSIDE & 12 MM. ON INSIDE WALL IN 1:1:6 & CEILING & CHAJJA IN 1:4  
 6. D.P.C. SHALL BE 50MM THICK IN 1:1.5:3 TONE WITH WATER PROOFING ADMIXTURE  
 7. 25 MM THK. 1.5S. FLOORING WITH NEAT CEMENT FINISH AT TOP  
 8. 75 MM THK. SINGLE BRICK FLAT SOLING ON FOUNDATION  
 9. 9' + 300 LVL. TO THE FINISHED GROUND FLOOR LVL.  
 10. TREAD WIDTH 250 EACH & RISER HEIGHT IS 160.526 EACH  
 11. FLOOR TO SLAB HEIGHT SHALL BE 2050 MM & THICKNESS OF THE SLAB SHALL BE 100 MM.  
 12. THEREFORE, CLEAR HEIGHT OF EACH FLOOR SHALL BE 2950 MM.

**MATERIALS :-**  
 STEEL MUST CONFIRMED WITH IS 1786  
 GRADE OF CONCRETE : M 25 & GRADE OF STEEL : Fe500  
 CEMENT : ORDINARY PORTLAND & SAND : MEDIUM COARSE  
 STONE CHIPS : 20 MM. DOWN GRADED  
 OTHER DETAILS AS PER ARCHITECT OR ENGINEER - IN - CHARGE

**CUP BOARD & LOFT AREA :-**

FLOOR MARK	CUP BOARD	LOFT
FIRST FLOOR	4,263 SQ.M.	0,871 SQ.M.
SECOND FLOOR	4,263 SQ.M.	0,871 SQ.M.
THIRD FLOOR	4,263 SQ.M.	0,871 SQ.M.
FOURTH FLOOR	4,263 SQ.M.	0,871 SQ.M.
<b>TOTAL</b>	<b>17,052 SQ.M.</b>	<b>3,484 SQ.M.</b>

**DOOR & WINDOW SCHEDULE :-**

MARKED	TYPE	SILL HEIGHT FROM FLOOR	LINTEL HEIGHT FROM FL.
D1	SOLID FLUSH	-----	2100
D2	SOLID FLUSH	-----	2100
D3	SOLID FLUSH	-----	2100
SD	GLAZED	-----	2100
W1	GLAZED	750	2100
W2	GLAZED	750	2100
W3	GLAZED	1100	2100
W4	GLAZED	1350	2100

**1. PROPOSED AREA :**

Floor Mkd.	Floor area	Lift Well	Gross Area	EXEMPTED AREA Stair Area	Lift Lobby	Net Floor Area
Ground Floor	176,240 SQ.M.	----	176,240 SQ.M.	12,690 SQ.M.	3,000 SQ.M.	160,550 SQ.M.
1st Floor	200,168 SQ.M.	2,700 SQ.M.	197,468 SQ.M.	12,690 SQ.M.	3,000 SQ.M.	181,778 SQ.M.
2nd Floor	200,168 SQ.M.	2,700 SQ.M.	197,468 SQ.M.	12,690 SQ.M.	3,000 SQ.M.	181,778 SQ.M.
3rd Floor	200,168 SQ.M.	2,700 SQ.M.	197,468 SQ.M.	12,690 SQ.M.	3,000 SQ.M.	181,778 SQ.M.
4th Floor	200,168 SQ.M.	2,700 SQ.M.	197,468 SQ.M.	12,690 SQ.M.	3,000 SQ.M.	181,778 SQ.M.
<b>Total</b>	<b>976,912 SQ.M.</b>	<b>10,800 SQ.M.</b>	<b>966,112 SQ.M.</b>	<b>63,450 SQ.M.</b>	<b>15,000 SQ.M.</b>	<b>887,662 SQ.M.</b>

**2. PARKING CALCULATION:**

Flat Marked	Tenement Size (SQ.M.)	Share of Service (SQ.M.)	Tenement Area (SQ.M.)	Tenement No.	Required Parking	Parking No.
FLAT-A	112.237	19.219	131.556	04 NOS.	100 > SQ.M.	04 NOS.
FLAT-B	65.424	11.193	76.617	04 NOS.	75 > 100 SQ.M.	02 NOS.
<b>TOTAL REQUIRED PARKING</b>						<b>06 NOS.</b>

**OWNERS DECLARATION :-**  
 I DO HEREBY DECLARE WITH FULL RESPONSIBILITY THAT I SHALL ENGAGE L.B.A & E.S.E DURING CONSTRUCTION I SHALL FOLLOW THE INSTRUCTIONS OF L.B.A & E.S.E DURING CONSTRUCTION OF THE BUILDING (AS PER B.S PLAN) K.M.C. AUTHORITY WILL NOT BE RESPONSIBLE FOR STRUCTURAL STABILITY OF THE BUILDING & ADJOINING.  
 IF ANY SUBMITTED DOCUMENTS ARE FOUND TO BE FAKE, THE K.M.C. AUTHORITY WILL REVOKE THE CONSTRUCTION OF WATER RESERVOIR AND SEPTIC TANK WILL BE UNDER TAKEN UNDER THE GUIDANCE OF E.S.E / L.B.A BEFORE STARTING OF FOUNDATION WORK. DURING INSPECTION THE PLOT IS IDENTIFIED BY ME.

NAME OF OWNER / AUTHORITY  
 ARUNAGATA DAS SOLE PROPRIETOR OF MESSRS OMKAR ENTERPRISE C.A OF MAITRAYEE BOSE

**CERTIFICATE OF ARCHITECT :-**  
 CERTIFIED WITH FULL RESPONSIBILITY THAT THE BUILDING PLAN HAS BEEN DRAWN UP AS PER PROVISION OF KOLKATA MUNICIPAL CORPORATION BUILDING RULES, 2009, AS AMENDED FROM TIME TO TIME & THAT THE SITE CONDITION INCLUDING THE WIDTH OF THE ADJOINING ROAD CONFORM WITH THE PLAN AND THAT IT IS A BUILDABLE SITE & NOT A FILLED UP TANK LAND WITH EXISTING STRUCTURE IS DEMARCATED WITH BOUNDARY WALL.  
 EXISTING STRUCTURE TO BE DEMOLISHED BEFORE COMMENCEMENT OF THE NEW CONSTRUCTION WORK. THIS PREMISES IS FULLY OCCUPIED BY THE LAND OWNERS

NAME OF ARCHITECT  
 Mr. ANUPAM GHOSH  
 Registered Architect  
 Reg. No. C.A / 2005 / 36555.

**CERTIFICATE OF STRUCTURAL ENGINEER:-**  
 THE STRUCTURAL DESIGN & DRAWING OF BOTH FOUNDATION & SUPER STRUCTURE OF THE BUILDING HAS BEEN PREPARED BY ME CONSIDERING ALL POSSIBLE LOADS INCLUDING SEISMIC LOAD AS PER NATIONAL BUILDING CODE OF INDIA AND CERTIFIED THAT IT IS SAFE AND STABLE IN ALL RESPECT.  
 SOIL TESTING HAS BEEN DONE BY Mr. SANTOSH KUMAR CHAKRABORTY OF M / S. J.B. ASSOCIATES, 1418, NAYABAD, KOLKATA - 700 094. THE RECOMMENDATIONS OF SOIL TEST REPORT HAS BEEN CONSIDERED DURING STRUCTURAL CALCULATIONS.

NAME OF STRUCTURAL ENGINEER  
 Mr. BIBEK BIKASH MULLICK  
 Structural Engineer (ESE / 1 / 75)

**CERTIFICATE OF GEO-TECHNICAL ENGINEER:-**  
 UNDERSIGNED HAS INSPECTED THE SITE CARRIED OUT THE SOIL INVESTIGATION THEREIN. IT IS CERTIFIED THAT THE EXISTING SOIL OF THE SITE IS ABLE TO CARRY THE LOAD COMING FROM THE PROPOSED CONSTRUCTION AND THE FOUNDATION SYSTEM PROPOSED THEREIN IS SAFE AND STABLE IN ALL RESPECT FROM GEO - TECHNICAL POINT OF VIEW.

NAME OF GEO-TECHNICAL ENGINEER  
 Mr. SANTOSH KUMAR CHAKRABORTY  
 (G.T. / 1 / 16)

**PROJECT :-**  
**PROPOSED GROUND + FOUR STORIED [ 15.450 HEIGHT ]**  
**RESIDENTIAL BUILDING AT PREMISES NO. P186, C I T SCH IV M,**  
**P.S. BELIAGHATA, KOLKATA 700 010, WARD NO. 033,**  
**UNDER BOROUGH III [ K. M. C. ]**  
**AS PER U / S 393A OF K.M.C. ACT. 1980 & K.M.C. BLDG. RULE 2009.**  
**COMPLYING NOTIFICATION NO. 80/MA/OIC-4/3R-7/2017, DATED - 31.01.2018 FOR RULE 62 & 77.**

**TITLE :-**  
 PROPOSED GROUND FLOOR PLAN, EXISTING PLAN, SITE PLAN, LOCATION PLAN, SEPTIC TANK, & S.U.G.W.R

**DRAWING SHEET NO.**  
 DEALT : P. MONDAL  
 DATE : 23.04.2022

**SCALE 1 : 100**  
 (UNLESS OTHERWISE MENTIONED)

ALL DIMENSIONS ARE IN M.M. ( UNLESS OTHERWISE MENTIONED )

Architectural Consultants : **COLLAGE ARCHITECTS**  
 1486, RAJDANGA MAIN ROAD, ( OPPOSITE PURBA ABASAN, DF BLOCK ), KOLKATA 700 107, INDIA.  
 PHONE NO. (033) 4602 6909; E-MAIL: collage.architects.info@gmail.com

THIS DRAWING IS A PROPERTY OF COLLAGE. ANY MODIFICATION, CHANGES, DEVIATIONS IS NOT PERMISSIBLE WITHOUT PRIOR INTIMATION OF THE ARCHITECT. TO THE CONTRARY THIS WILL BE TREATED AS ILLEGAL ACT.

**BUILDING PERMIT NO. : 2022030026**  
**DATED - 13/06/2022**  
**VALID UPTO - 12/06/2027**  
**PLAN CASE NO. : 2022030015**

**SPACE FOR DIGITAL SIGNATURE**

DIGITAL SIGNATURE OF ASSISTANT ENGINEER(C) BOROUGH - III, K.M.C

DIGITAL SIGNATURE OF EXECUTIVE ENGINEER(C) BOROUGH - III, K.M.C